

Linea Imperiale



GAPRAIA LI-200-S

WWW.LINEAIMPERIALE.COM

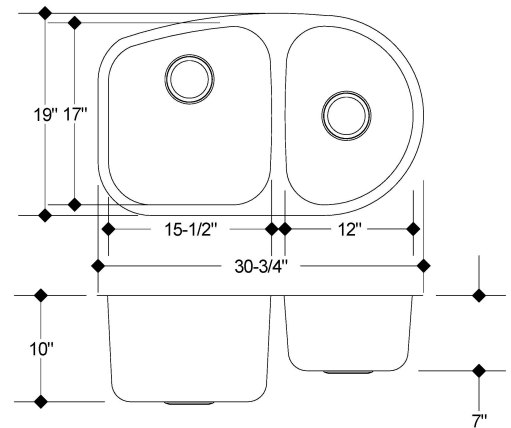
In collaboration with Italy's renowned designer and historian "Giovanni Sanremo" we have created an Imperial Line made for the needs of the most demanding consumers that search for the best.

You will find many models to choose from all offering their own unique history and character designed specifically for your solid surface counter top. All sinks include exclusive accessories made to enhance your kitchen as to provide the most efficient working environment possible. Thank you again and enjoy your new "Linea Imperiale" sink and faucet by C-TECH-I.



FEATURES

Model #	LI-200-S
Description	DOUBLE BOWL KITCHEN SINK
Material	PREMIUM 18/10 304 STAINLESS STEEL
Color	STAINLESS STEEL
Mounting options	UNDER-MOUNT AND DROP-IN
Finish	BOWLS BRUSHED AND SURFACE POLISHED
Thickness	16 GAUGE
Sound proofing	10 POINT SOUND PAD SYSTEM
Construction type	3 PIECE CONSTRUCTION
Construction method	PRESSED 3 TIMES
Warranty	LIMITED LIFETIME
Overflow	NO
Drain size	3 5/8", STANDARD USA, CA AND EUROPE SIZE
Certifications	CAN/CSA-B45/ANSI-A112.19/ANSI-Z124/MASS
FGP Compliant	YES
Fits cabinet size	MADE FOR CABINETS 30" AND LARGER



INCLUSIONS:

Your Linea Imperial sink includes the following accessories,
 Paper template for cut-out Mounting hardware
 Set of bottom strainer/grids to protect your sink bottom
 One deluxe deep drain with retractable basket
 One stainless steel pasta strainer



OPTIONAL ACCESSORIES:

The following accessories are available for your sink,



RESOURCES:

Installation instructions www.specs.ctechi.com/sinkinstall.pdf
 Cleaning instructions www.specs.ctechi.com/cleaning.pdf
 Warranty information www.specs.ctechi.com/warranty.pdf
 DXF file www.specs.ctechi.com/LI-200-S.dxf

For your protection and to insure the highest quality and standards, all C-TECH-I products meet or exceed one or more of the regulatory certification marks for the USA, Canada and Europe.

